

## Pivot and pull clamp double-acting, max. 400 bar



# HILMA



### Applications:

- for automatic clamping of dies on press rams

### Function:

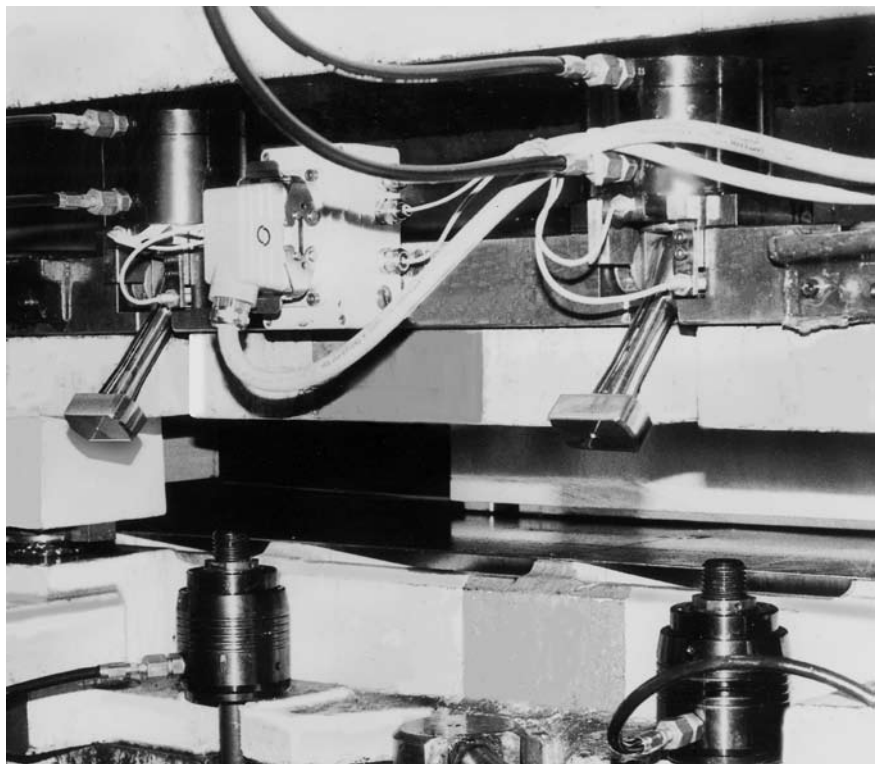
A control mechanism translates the stroke of the double-acting piston into a tilting and lifting movement of the tie rod. For releasing the die, the tie rod pivots by 15°. The clamping force is transmitted to the clamping point in the axial direction of the tie rod. The clamping and unclamping positions are monitored by inductive proximity switches.

Max. temperature: 85°C.

Higher temperatures upon request.

### Special features:

- ◆ 10 mm clamping stroke, therefore high adaptability to varying heights of clamping edges
- ◆ High functional reliability ensured by position monitoring and an automatic cycle
- ◆ The tie rod can be pivoted, therefore no collision edges when inserting the die
- ◆ Optimum utilisation of the ram surface
- ◆ Easy and rapid installation
- ◆ Very suitable for retrofitting

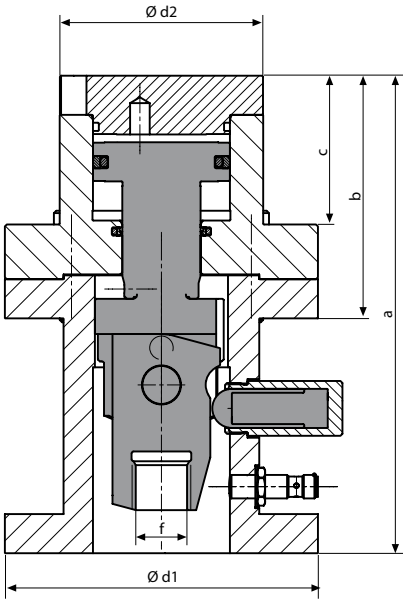




# HILMA

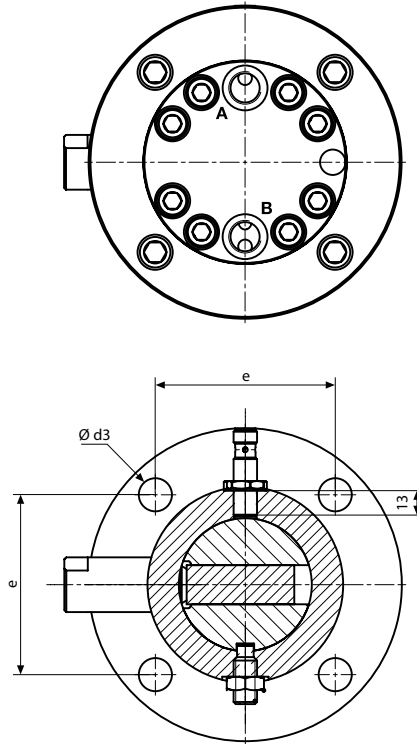


## Pivot and pull clamp double-acting, max. 400 bar



**Suitable for temperatures of up to 85°C**  
(higher temperatures upon request)

**Max. flow rate: 16 cm<sup>3</sup>**



<b>Clamping force at 400 bar (kN)</b> (other clamping forces on request)	<b>104</b>	<b>160</b>
Clamping stroke (mm)	10	10
Piston stroke (mm)	24	26
Oil consumption clamping (cm <sup>3</sup> )	52	108
Oil consumption unclamping (cm <sup>3</sup> )	77	158
a (mm)	244	348
b (mm)	124	147
c (mm)	76	87
d1 Ø (mm)	160	192
d2 Ø (mm)	104	126
d3 Ø (mm)	17	21
e (mm)	92	114
f (mm)	M30	M36
<b>Part no.</b>	<b>8.2185.1000</b>	<b>8.2186.1000</b>

### Position monitoring

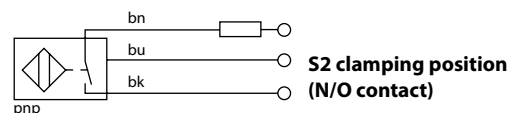
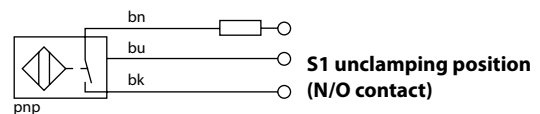
Nominal tripping cycle $S_N$	2 mm
Ambient temperature $T_A$	-40° ... +85°C
Operating voltage $U_B$	10 - 30 V DC
Max. constant current	200 mA
Switching function	N/O contact (PNP)

### Recommended accessories:

10 m connecting cable for inductive proximity switches:  
**Part no. 5700014**

5 m connecting cable angled at 90°:  
**Part no. 2.0975.0024**

### Initial settings



# 2.2185

10/2008

**Hilma-Römheld GmbH**

Schützenstraße 74 · D-57271 Hilchenbach

Phone +49 (0) 2733 / 281-0 · Fax +49 (0) 2733 / 281-113 · www.hilma.de

Subject to technical modification