



## Flat clamping bar single-acting



### Application:

- on die bending presses and folding presses for the upper die and on the press slide

### Function:

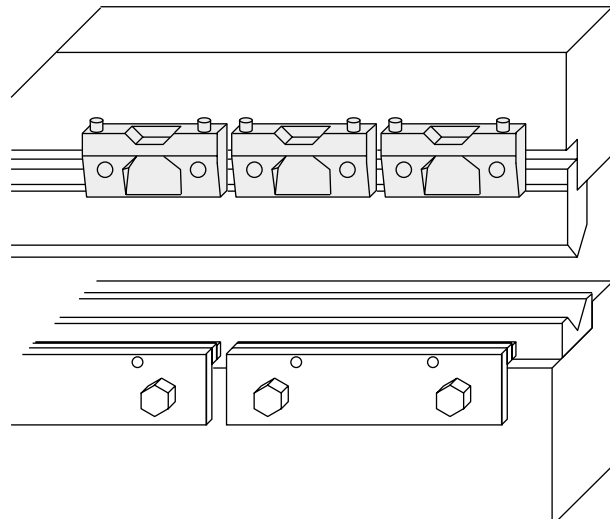
Flat clamping bars are fastened to the upper press beam and can perform a pivoting movement for clamping the die.

Hydraulic pressure is applied to the piston, and the clamping force is transmitted from the flat clamping bar to the die. For unclamping, the bar is pulled back by an external spring.

When using several flat clamping bars in a row, they are interconnected using small diameter hoses. The dies must be provided with pilot pins, slots or ledges adapted to the clamping bars, in order to prevent unintentional dropping during unclamping.

### Special features:

- high power density
- compact and flat design
- piston secured against rotation
- optimum use of the bending angle by a chamfer on the clamping bar
- easy installation
- suitable for retrofit

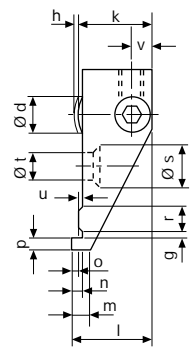
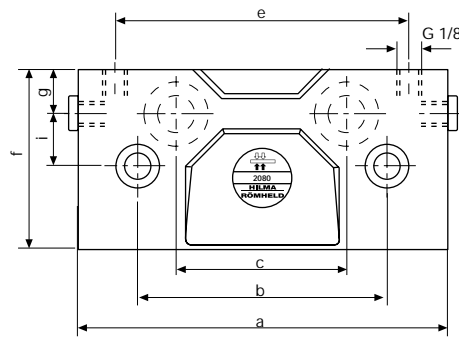




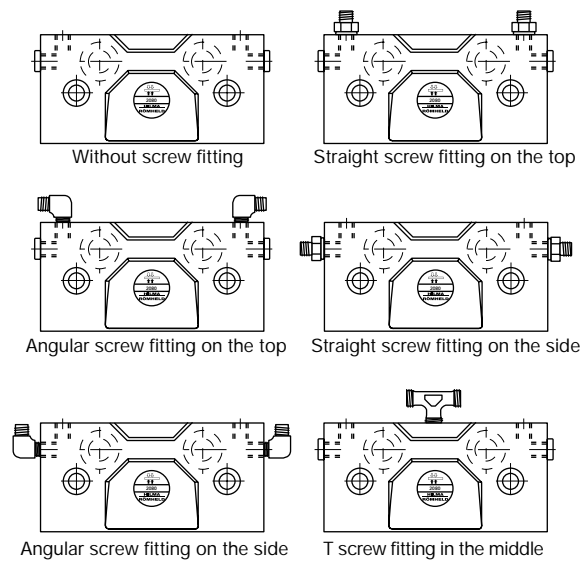
## Flat clamping bar single-acting

Clamping force at 100 bar (kN)	3,6
at 350 bar (kN)	12,5
Stroke h (mm)	1,5
Piston Ø d (mm)	15
Oil consum./1 mm stroke (cm <sup>3</sup> )	0,4
a (mm)	148
b (mm)	100
c (mm)	68
e (mm)	118
f (mm)	73
g (mm)	18
i (mm)	21
k (mm)	30
l (mm)	32,5
m (mm)	10
n (mm)	4
o (mm)	2,5
p (mm)	5
q (mm)	3
r (mm)	10
s (mm)	18
t (mm)	11
u (mm)	2
v (mm)	8
Weight (kg)	1,36

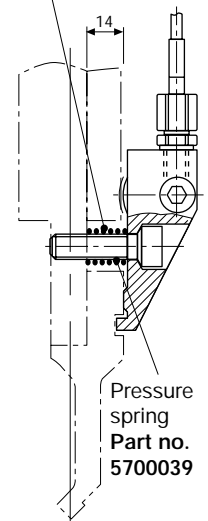
<b>Part no. (depending on type of connection)</b>	
without screw fitting	2088 000
Straight screw fitting on the top	2088 010
Angular screw fitting on the top	2088 050
Straight screw fitting on the side	2088 160
Angular screw fitting on the side	2088 150



### Possible connections

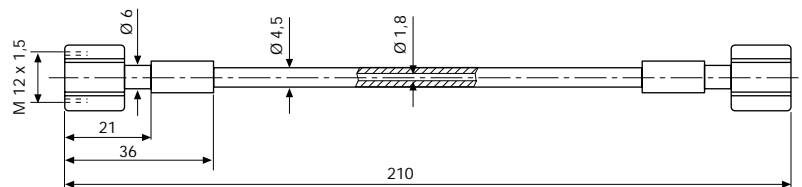


Cheese head screw  
M 10 x 35 DIN 912  
Part no. 5700043



**Connecting hoses NW 1.8**  
with straight pipe connection  
and union nut M12 x 1.5  
Tapered ring DIN 2353

Length L (mm)	Part no.
175	5700 044
250	5700 045
300	5700 046



**Connecting hoses NW 1.8**  
with angular pipe connection  
and union nut M12 x 1.5  
Tapered ring DIN 2353

Length L (mm)	Part no.
160	5700 047

