



Built-in piston

4.1070



Swing sink clamping element

4.2150



Swing clamping element

4.2170



Pull clamping element

4.2180



Pull clamping element with T-slot

4.2350

4.2351



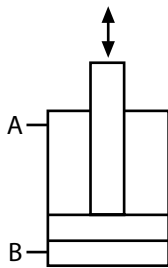
Grip rail coupling

4.2900

Pull clamping element double-acting



HILMA



For power units
please see product group 7

For accessories
please see product group 11

Applications:

- integrated in press rams
- integrated in press bed
- in machine tools and equipment
- when the available space is limited

Function:

Double acting pull clamping element for clamping dies on a press bed or press ram. The die must be provided with T-slots for the tie rod. It is important that the die is correctly pushed into the press, and is parallel with the clamping elements. The clamping and unclamping positions are monitored by inductive proximity switches. The tie rod and the piston are hardened and ground, and the hydraulic system is protected against dirt by wiper rings.

Special features:

- ◆ Position monitoring ensures high functional safety
- ◆ Ideal power transmission with centrally arranged clamping elements
- ◆ Compact design
- ◆ Clamping force of between 60 and 164 kN
- ◆ Optimum use of bed and ram surfaces
- ◆ Die clamping in barely accessible positions
- ◆ Compensates for large clamping edge tolerances (± 1.5 mm)

Pull clamping elements in the press bed of a double column press. Easy die positioning is ensured by roller blocs in the T-slots of the press bed.



Pull clamping element double-acting

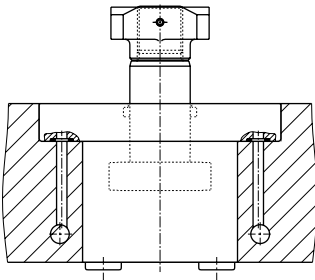


HILMA

Recommended installation

In order to ensure ease of servicing, two alternatives are offered for connecting the pull clamps.

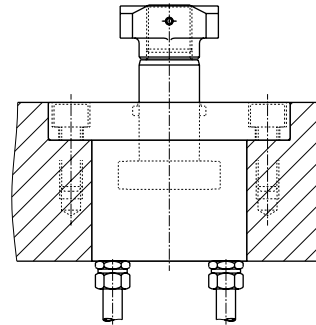
Flanged connection



Hydraulic oil is fed through the drilled holes in the bed and in the ram. There are no exposed conduits or screw fittings.

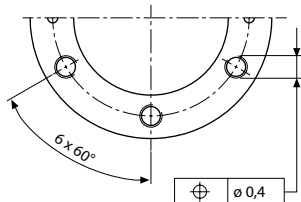
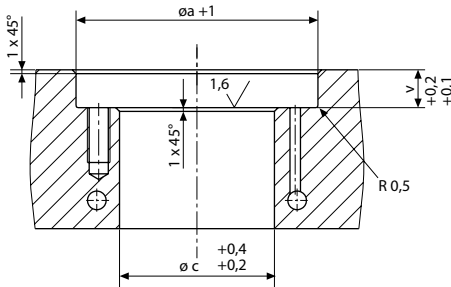
O-rings supplied with the clamping element provide for tight fitting. Easy installation, ease of servicing.

Pipe connection



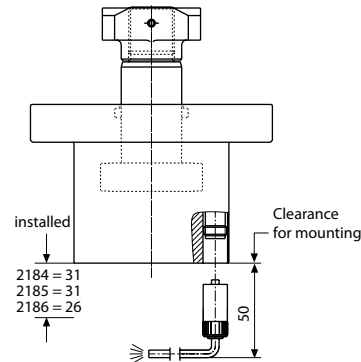
Pipes are recommended in applications where screw fittings are easily accessible and where pipes do not impede installation and dismantling of the pull clamping elements.

Drilled hole for flanged or pipe connection



Flanged connection requires a plain and neat surface.

Connection of the monitoring system for clamping and unclamping position

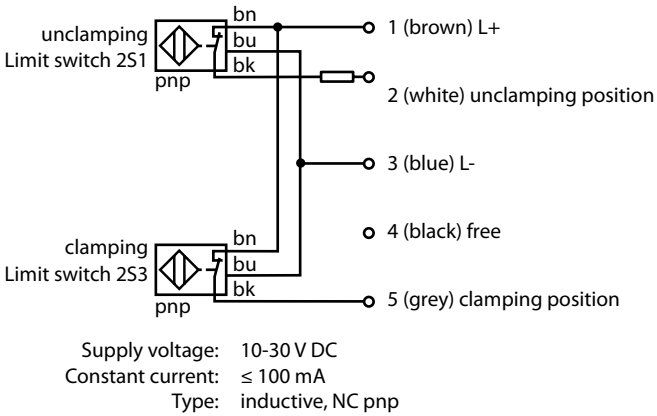


Both proximity switches are connected to the base of the pull clamp through a connecting lead with a screw coupling [IP 67]. The connecting lead must be ordered separately. Further installation may be carried out using a distribution block with an LED display, see page 4

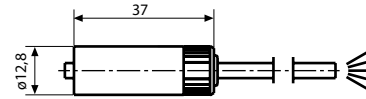


Electrical installation

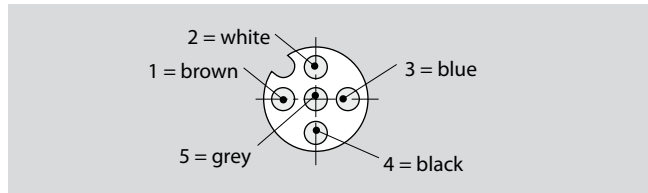
Pin assignment for three-wire proximity switches



5-pole connecting lead with screw coupling



Cable length 5 m	Part no.	5700-013
Cable length 10 m	Part no.	5700-014



Distribution block with LED display for connecting 4 clamping elements

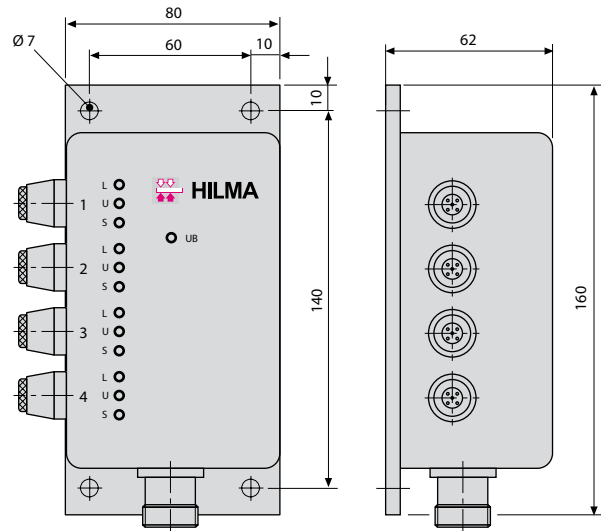
Easy installation!
LED display of the unclamping, change-over and clamping position of each clamping element.

Scope of delivery: 1 distribution block
4 coupler plugs, 5 poles
1 coupler plug, 16 poles

Wiring of output plug:

- Pin 1 = L+
- Pin 2 = L
- Pin 3 = 1L
- Pin 4 = do not use
- Pin 5 = 1S
- Pin 6 = 2L
- Pin 7 = do not use
- Pin 8 = 2S
- Pin 9 = 3L
- Pin 10 = do not use
- Pin 11 = 3S
- Pin 12 = 4L
- Pin 13 = do not use
- Pin 14 = 4S
- Pin 15 = free
- Pin 16 = free

L = Unclamping position
U = not assigned
S = Clamping position



Part no.	5700-015
-----------------	-----------------

Hydraulic installation

Read the operating instructions before commissioning the system.

Other parameters and recommendations are given in chapter no. 1 "General information".